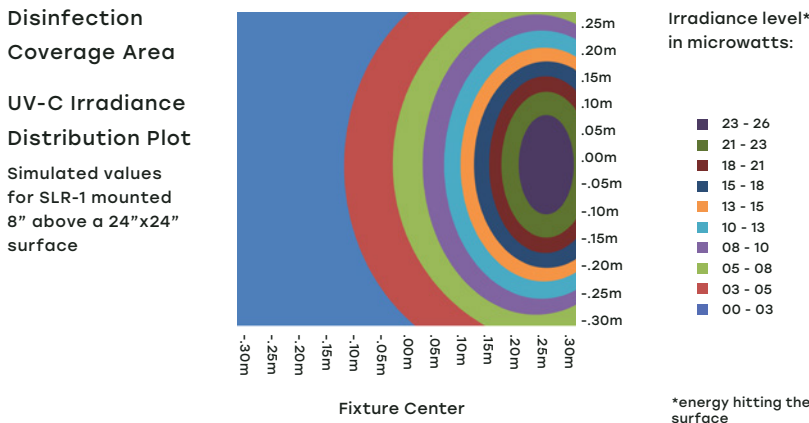
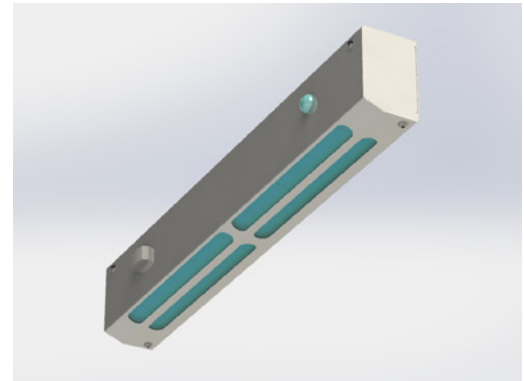


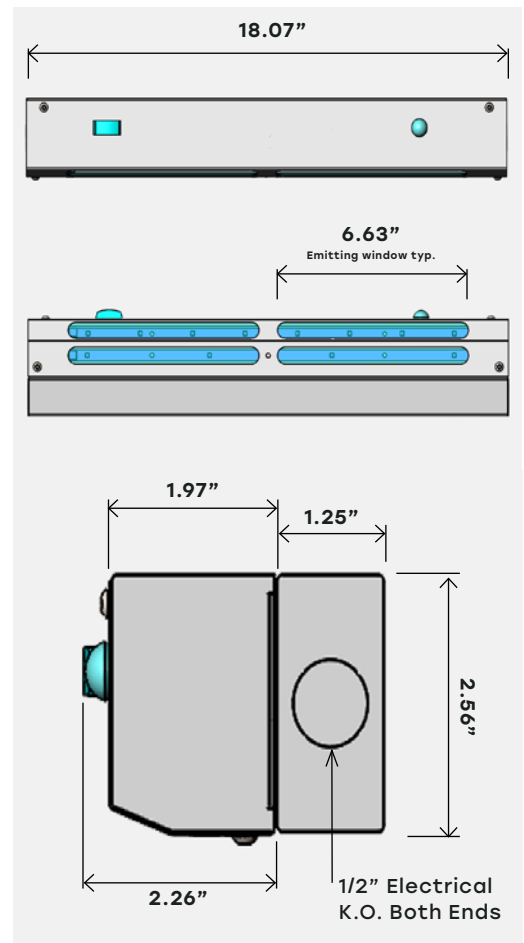
# SLR-1 Disinfecting Bar

## Technical Specifications

Description	The Sterilumen SLR-1 disinfecting bar safely disinfects sink, faucet, basin, and counter surfaces with a uniform coverage area of 24"x24".
Weight	2lb 10 oz without thru channel 1lb 10 oz = thru channel
Mounting	<ul style="list-style-type: none"> <li>Thru-wire mounting channel provided for optional linear daisy-chain installation</li> <li>Cutouts provided for "back-feed" mounting to single gang switch box</li> </ul>
Electrical	<ul style="list-style-type: none"> <li>Input voltage:                             <ul style="list-style-type: none"> <li>North American version: 120-277 VAC</li> <li>EU version: 220-240 VAC</li> </ul> </li> <li>Class-P, energy star rated power supply converts incoming AC to 24VDC</li> <li>Luminaire quick disconnect for safe installation</li> </ul>



Optical	<ul style="list-style-type: none"> <li>Peak wavelength: 275nm (+/- 3nm)</li> <li>Radiant flux: ~110mW</li> <li>Lenses: high transmission fused quartz</li> </ul>
Environmental	<ul style="list-style-type: none"> <li>Operating temp: -10°C to 50°C (~23°F - 123°F)</li> <li>Storage temp: -40°C - 85°C (~-40°F - 180°F)</li> <li>Humidity range for storage and use: 0%-95%</li> <li>Rated for Damp Location mounting</li> <li>Convection cooled, no active cooling required</li> </ul>
Control/ Safeguards	<ul style="list-style-type: none"> <li>Dual PIR sensors (wide angle/near field)</li> <li>Sensor error reporting/failsafe: if error is found or sensor does not respond, unit will not cycle</li> <li>Programming and monitoring provided in Sterilumen Application</li> <li>System run data retrieval and storage in Sterilumen Application</li> </ul>



SLR-1 DISINFECTING BAR — PRODUCT DIMENSIONS