



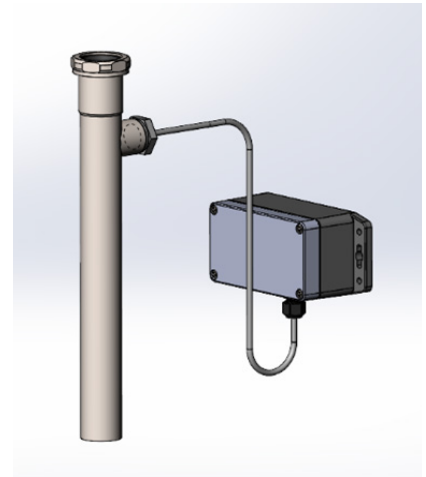


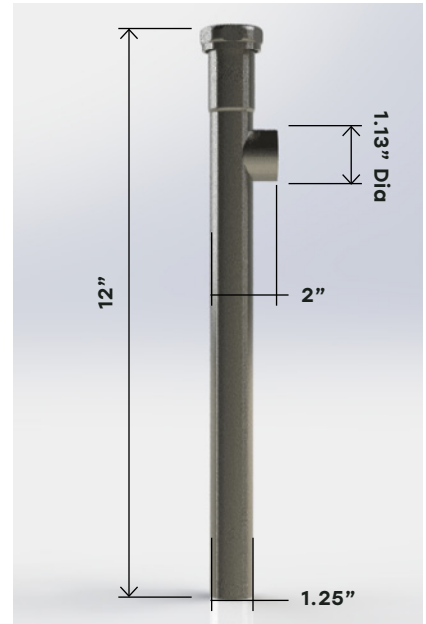
SLD-1 Drain

Technical Specifications

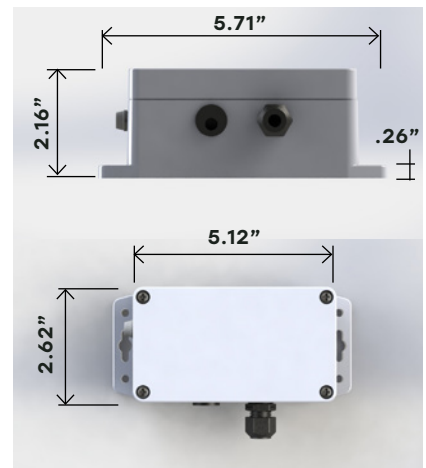
Description	Reliable and safe disinfection device for common sink drains.
Weight	1 lb 14oz
Drain Type	<ul style="list-style-type: none"> • Brass (Model SLD-1-B) • Stainless Steel (Model SLD-1-S)
Operating Parameters	Automatic timer circuit runs a 15 minute cleaning cycle and a 15 minute rest cycle. Red light indicates unit is functioning.
Adaptor Pipe Fitting	Stainless pipe with welded on threaded adaptor lug, 12" OAL, standard 1-1/4" Dia.
Control Box	NEMA 4x rated, flame retardant, dark grey ABS.
Electrical	<p>US - Universal input AC-DC power adapter included. Includes adaptor plug kit for world-wide plug styles.</p> <div style="display: flex; justify-content: space-around; align-items: flex-end;"> <div style="text-align: center;">  <p>Australian type AC plug-AU</p> </div> <div style="text-align: center;">  <p>U.K. type AC plus-UK</p> </div> <div style="text-align: center;">  <p>European type AC plug-EU</p> </div> <div style="text-align: center;">  <p>U.S. type AC plug-US</p> </div> </div>
Optical	<ul style="list-style-type: none"> • Output power = 9.75mW • Peak wavelength = 275nm (+/-3nm)
LED Module	C360 brass body, fully potted for protection.
Environmental Storage and Operating Temperature	Unit is rated to operate in temperature range from -10°C to 50°C (23° F - 122°F); no active cooling required.



SLD-1 DRAIN



ADAPTOR PIPE



CONTROL BOX: